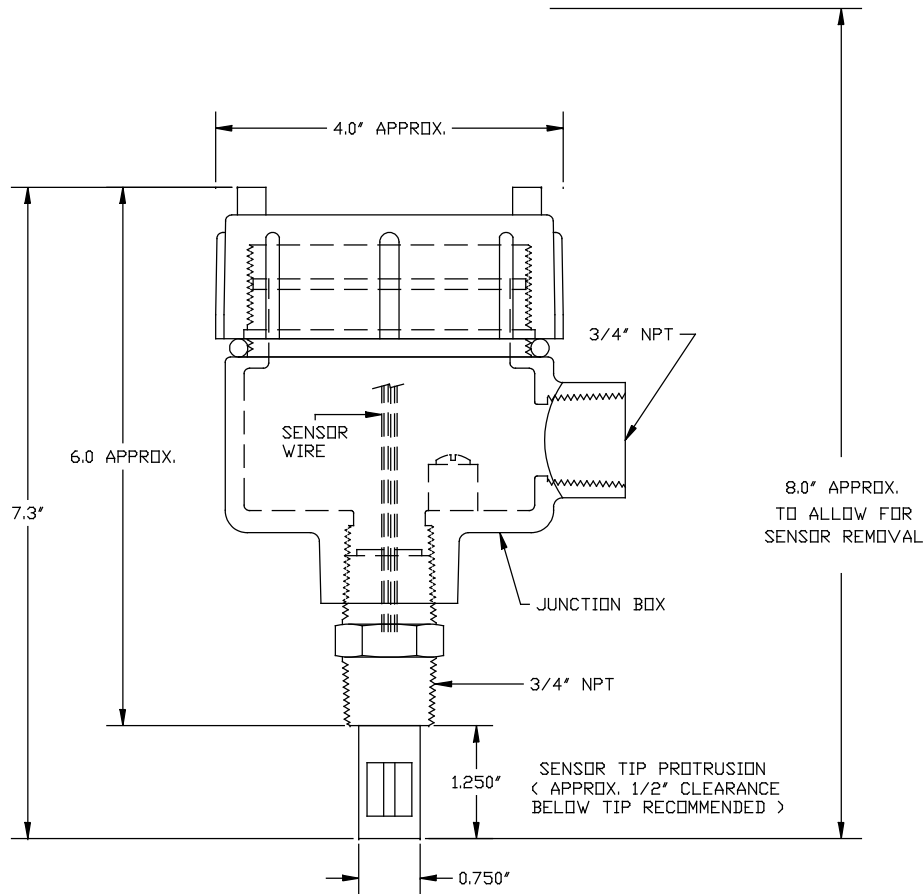
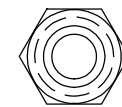
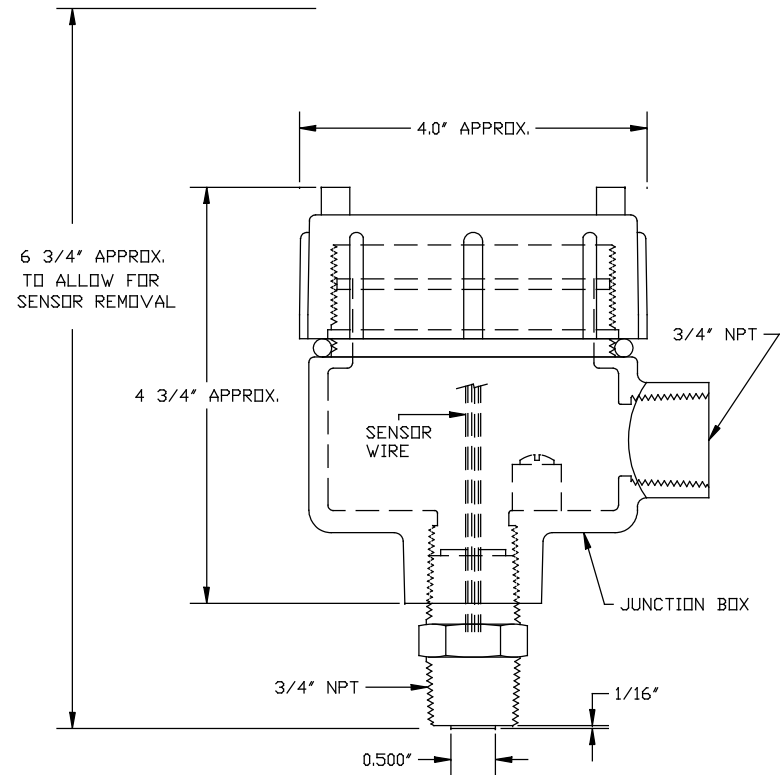


1.0 & 2.0 CONSTANT CONFIGURATION

0.1 & 0.2 CONSTANT CONFIGURATION



END VIEW



END VIEW

NOTE: 1. APPROXIMATELY 1/2" CLEARANCE BELOW SENSOR TIP RECOMMENDED WHEN INSTALLED IN PIPE OR TEE.

2. FOR SMALL CELL CONSTANTS < 0.1 & 0.2 > INSTALLATION OF SENSOR ON AN ANGLE OF GREATER THAN 15° FROM VERTICAL TO AVOID AIR OR GRIT ENTRAPMENT IS RECOMMENDED.

	by	date	I C CONTROLS	
dr.	JPG	2016-10-17	Orangeville Ontario Canada	
chk.	SAC	2016-10-17	TITLE	
app.	AF	2016-10-18	401 SENSOR 1.0 AND 0.1 CONSTANT	
	N/A		code	dwg. no. D4100097
option	N/A		N/A	REV. 1
			scale N/A	sheet 1 of 1